

## DC-DC CONVERTER

### FOR ELECTRIC POWERED VEHICLES

The Sevcon DC/DC Converters are suitable for all electric powered vehicles and are designed to be fitted on-board the vehicle and connected permanently to the battery. These fully encapsulated converters deliver a stable isolated high power, low voltage DC supply for accessories such as lights, horns, and wipers. This eliminates inefficient battery taps and fragile, expensive high voltage accessories.

### FEATURES

- High frequency: silent operation
- Output power: 200W or 300W
- Protection from short circuit, overload and reverse polarity
- Fully isolated
- IP67 protection rating
- Parallel Connection of multiple units
- Integrated fuse holder



## KEY PARAMETERS

Input voltage (V)	Output voltage (V)	Output Power (W)
24/36	12/24	200
36/48	12/24	300
72/80	12/24/48	300
96	12/24	300
128	12/24	300
160	12	300

Weight: 0.9kg

## CUSTOM, COMPACT DESIGN

Custom designed for use with motor controllers, this compact, yet powerful converter can be connected in parallel for higher power requirements to perform reliably in industrial and commercial environments.

## ISOLATED OUTPUT

Safer than direct battery connection, this converter provides an electrically isolated output for ancillary equipment.

## OUTPUT ENABLER\*

The output enabler allows users to turn on/off the output voltage by means of a high/low input signal.

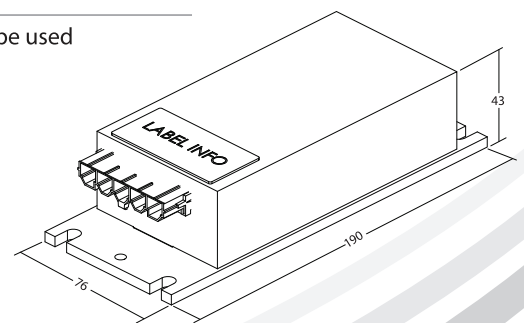
## STABLE VOLTAGE

Output is regulated to either 12, 24 or 27, depending on the model, and is maintained regardless of input voltage variations throughout the operating voltage range.

## DURABLE RELIABILITY

Encapsulated to achieve a protection rating to IP67, this converter can be used with complete confidence in punishing environments.

\*Only available on selected models



HSCT b.v.  
Melkrijder 9  
3861 SG Nijkerk  
The Netherlands

T. +31 (0)33 25 70811  
F. +31(0)33 25 70812

E. [info@hsct.nl](mailto:info@hsct.nl)  
I. [www.hsct.nl](http://www.hsct.nl)