

AC Controller GEN4 size 8



AC MOTOR CONTROLLER

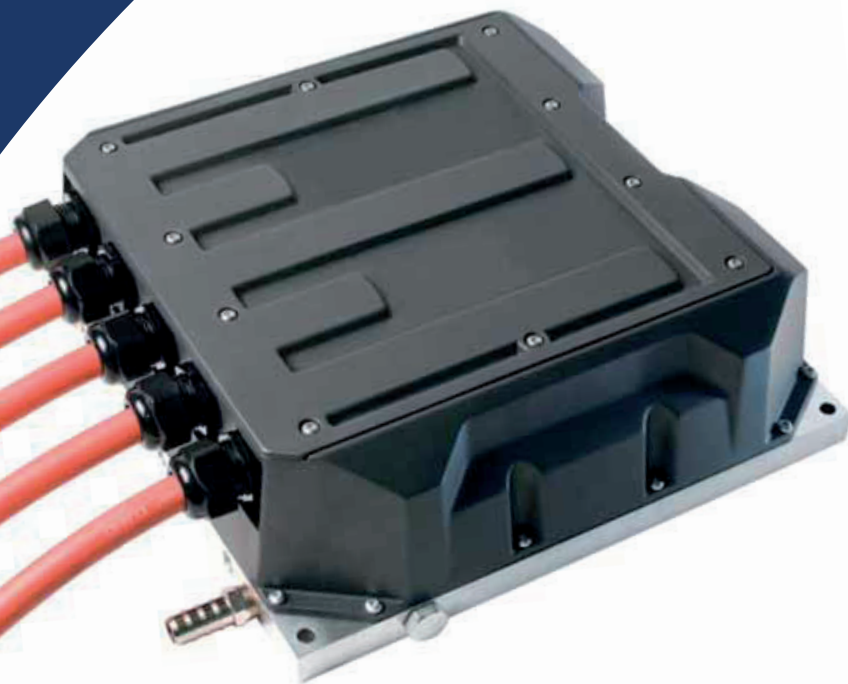
An AC motor controller designed to meet the high performance requirements of on-road and off-road Electric (EV) and Hybrid Electric

A compact, rugged and cost effective design, the Gen4 Size 8 is well suited for EV OEMs, EV conversions and EV drive train system integrators.

Its high voltage range, up to 400VDC, is well matched to the needs of the automotive and commercial transport markets. The same hardware platform handles both AC Induction and Permanent Magnet AC motor technologies.

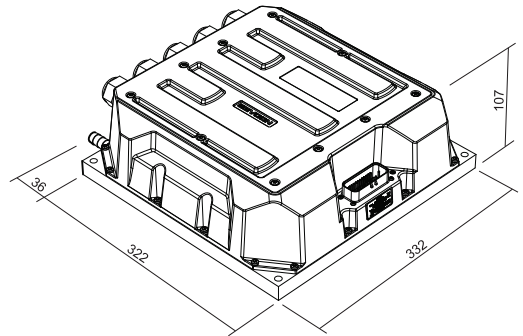
FEATURES

- AC Permanent Magnet synchronous motor
- AC Induction motor
- Up to 400V DC supply voltage
- Up to 100kW peak power output
- Up to 60kW continuous power output
- Advanced flux vector control
- Integrated logic circuit
- Includes an additional dedicated safety supervisory processor



KEY PARAMETERS

- Operating voltage range 128V to 400 VDC
- Output motor phase current:
 - 360 Arms (30sec)
 - 300 Arms (2 min)
 - 200 Arms (Continuous)
- Liquid or forced air cooling
- IP66 protection
- Weight 10kg



MULTIPLE MOTOR SENSOR FEEDBACK OPTIONS

The Gen4 Size 8 supports various types of motor sensor via range of hardware inputs and software control, allowing a great deal of flexibility.

- Absolute UVW encoder input
- Absolute Sin/Cos encoder input
- Resolver input
- Incremental AB encoder input
- Programmable 5V to 10V encoder power supply

INTEGRATED I/O

The Gen4 Size 8 includes a fully-integrated set of inputs and outputs (I/O) designed to handle a wide range of vehicle functions. This eliminates the need for additional external I/O modules or vehicle controllers and connectors.

- 4 analogue inputs + 1 motor Thermistor input
- 3 analogue outputs
- 6 digital inputs
- 3 power supplies outputs, programmable 0 to 10V

OTHER FEATURES

- A CANopen bus allows easy interconnection of controllers and devices such as displays and driver controls.
- The CAN bus allows the user to wire the vehicle to best suit vehicle layout since inputs and outputs can be connected to any of the controllers on the vehicle and the desired status is passed over the CAN network to the relevant motor controller.
- The Gen4 Size 8 controller is also designed to be compatible with J1939 protocol.
- The Gen4 Size 8 controller can dynamically change the allowed battery current by exchanging CAN messages with a compatible Battery Management System.
- Configurable as vehicle control master or motor slave.

CONFIGURATION TOOLS

Sevcon offers a range of configuration tools for the Gen4 Size 8 controller, with options for Windows based PC or calibrator handset unit. These tools provide simple yet powerful means of accessing the CANopen bus for diagnostics or parameter adjustment. The handset unit features password protected access levels and a customized logo start-up screen.



HSCT b.v.
Melkrijder 9
3861 SG Nijkerk
The Netherlands

T. +31 (0)33 25 70811
F. +31(0)33 25 70812

E. info@hsct.nl
I. www.hsct.nl